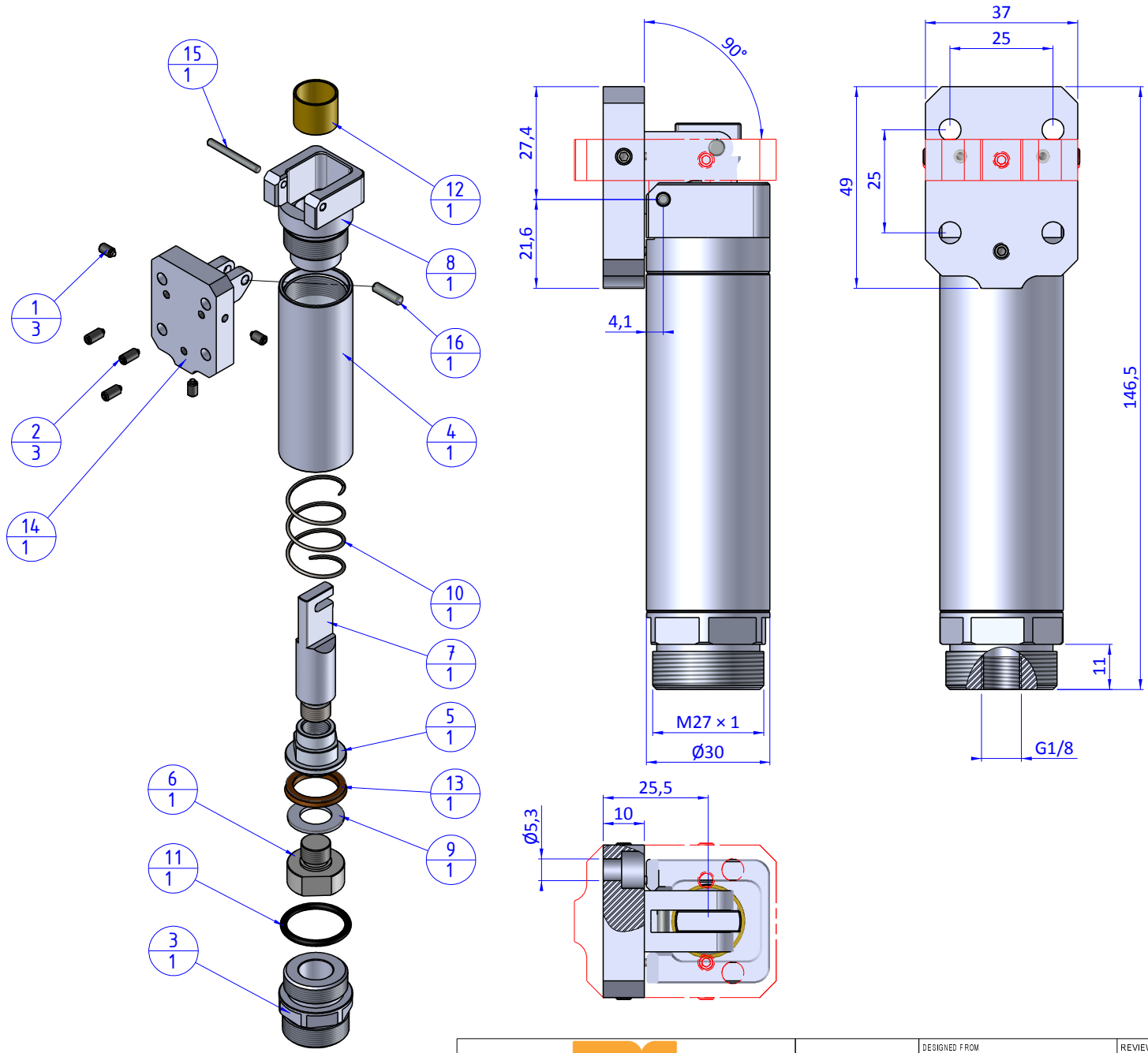



THE PROPERTY OF THE DRAWING IS ESTABLISHED BY LAW. IT IS FORBIDDEN TO PRODUCE OR SHOW IT TO THIRD PART, WITHOUT A WRITTEN AGREEMENT.

Item	Name	Q.ty
1	EL.GN.13871	3
2	EL.GN.13872	3
3	GRF30.95.01	1
4	GRF30.95.02	1
5	GRF30.95.03	1
6	GRF30.95.03.2	1
7	GRF30.95.04	1
8	GRF30.95.05	1
9	GRF30.95.10	1
10	M.24X66	1
11	OR.119	1
12	PAP.161815	1
13	PSP.251935	1
14	RBL.30.1	1
15	SP.3X28M6	1
16	SP.4X14M6	1



Format A3
UNI 936-76

 FPS FPSERVICES AUTOMATION		DESIGNED FROM	REVIEW
		FPS Automation	A
GENERAL TOLERANCE	DESCRIPTION	DATE	WEIGHT
UNI - ISO 2768	CA.RBL.30	31/07/2019	0.269kg
CLASSE f		CODE	CA.RBL.30